

# Product Sheet



## Wega 1 Group Polaris Package

Wega espresso coffee machines are Italian from the CMA group, combining specialist custom engineering with traditional Italian components. Our 2 group Polaris package features a stainless steel bodied espresso machine, with automatic keypads (set doses for espresso portions) along with a black Compak espresso grinder / doser and also a range of products and accessories to start your business off.

In the package you will receive:-

Wega 1 group Polaris espresso machine

Espresso coffee grinder and doser

Under grinder waste coffee draw, Limescale water filter with usage meter

1 litre frothing jug, chocolate shaker and chocolate powder

500 Cups worth of coffee beans mixed blends. 100 Fairtrade decaffeinated espresso shotz

Ghiradelli liquid Mocha Chocolate and dispensing pump

Espresso (6), Cappuccino (12) and Large Cappuccino (12) cups and saucers.

Espresso machine cleaning kit including Coffee Tool and liquid espresso machine cleaner.

Fairtrade Caramelised Biscuits, lined 2froz shot glass, 3froz shot jug

Delivery and Installation to a prepared site (Cold water ending at 3/4" BSP on/off isolator, 20amp power isolater both within 1 metre of the machines location)

Staff training, 12 Months parts and labour Warranty (Excludes limescale damage and misuse)

### Features :-

- One steam arm one hot water outlet
- Brew upto two espresso coffees at once
- Stylish body work, three colours (Black, Sand or Chrome +£200)

### Pricing :-

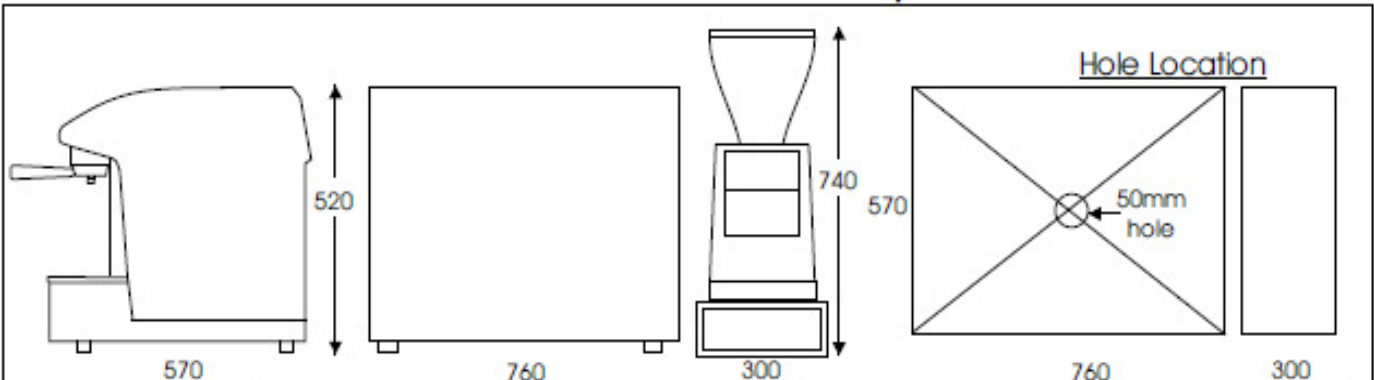
- Automatic Package, Delivered and Installed to a prepared site £2845 + VAT
- Semi-Automatic Package Delivered and Installed to a prepared site £2406 + VAT



	Height	Width	Depth	Boiler Size	Power
Polaris 1 Group	520mm	530mm	570mm	5ltr	2700watt

	Height	Width	Depth	Burr Diameter	RPM
Grinder	635mm	210mm	305mm	64mm	1250

## Installation Check List For Your Espresso Machine



Model	Groups	Boiler Cap	Voltage	Wattage	Amps	Weight
Wega	Two	12lt	220V	3700W	15A	84Kg Gross

Please Check All Boxes

16A Switched Electrical supply with cable outlet within 1 metre (WILL NOT FIT IN A 13A PLUG) Fuse box breaker to be labelled 'Espresso Machine'	<input type="checkbox"/>	The electrical and water supplies to the espresso machine location connected and working?	<input type="checkbox"/>
15 mm Dedicated cold water supply within 1 metre with washing machine type on/off valve fitted? Water pressure to the machine to be between 1 and 6 bar pressure.	<input type="checkbox"/>	Has 50mm diameter hole been made through work top for pipes, we can not drill through granite, stainless steel, slate, marble etc	<input type="checkbox"/>
35mm Trapped Waste Under work top within 1 metre. Or container under machine if no waste available.	<input type="checkbox"/>	Space for water filter under work top Standard Filter H=200mm W=140mm CTU Filter H=450 W=140mm	<input type="checkbox"/>
Space for grinder to right of machine with 13A socket above worktop? If fitting a shelf above please allow an extra 200mm	<input type="checkbox"/>	Is someone on site to help engineer lift the machine into place?	<input type="checkbox"/>
		Work top area complete and with space for machine. Work top capable of supporting weight	<input type="checkbox"/>

Please sign and date the declaration below to confirm all the above is correct, and please fax back to Pennine Tea & Coffee. If for any reason the engineer can not install the machine on your preferred date due to any of the above being false, a recall charge of £80.00 + Vat will be applied. If payment is to be made on the day either by cash or bankers draft (made out to Pennine Tea and Coffee Limited) this is to be given to the engineer before commencement of Installation.

I certify that all the above details are correct and that the site is ready for installation of the espresso machine and accept that a charge of £80.00 + VAT will be payable direct to the engineer if the site is not ready upon arrival for installation.

Name \_\_\_\_\_ Signature \_\_\_\_\_ Date \_\_\_\_\_

Contact Telephone Number \_\_\_\_\_ Req Install Date \_\_\_\_\_