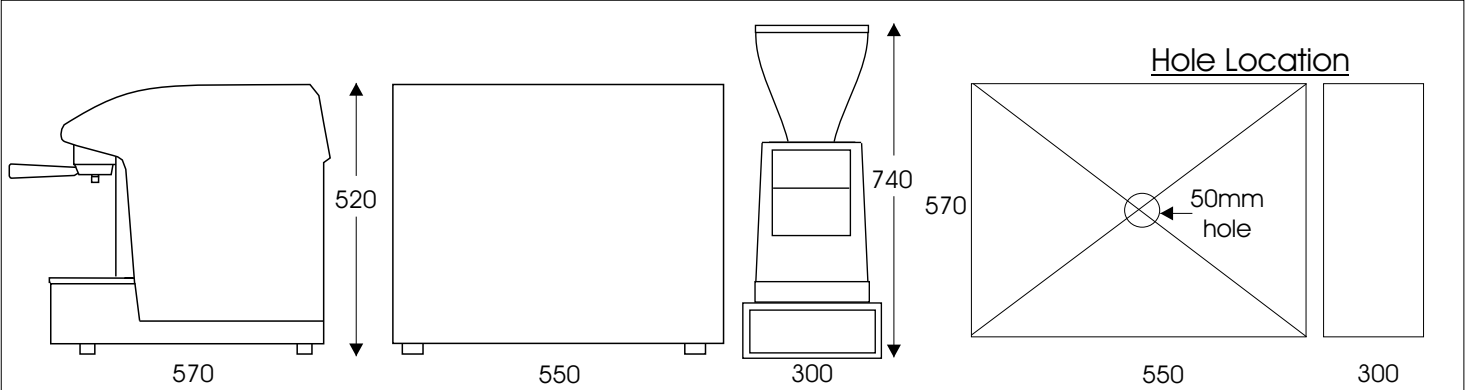


Installation Check List For Your Espresso Machine



Model	Groups	Boiler Cap	Voltage	Wattage	Amps	Weight
Wega	Two	7lt	220V	2600W	11.5A	70Kg Gross

Please Check All Boxes

16A Switched Electrical supply with cable outlet within 1 metre (WILL NOT FIT IN A 13A PLUG) Fuse box breaker to be labelled 'Espresso Machine'

The electrical and water supplies to the espresso machine location connected and working?

15 mm Dedicated cold water supply within 1 metre with washing machine type on/off valve fitted? Water pressure to the machine to be between 1 and 6 bar pressure.

Has 50mm diameter hole been made through work top for pipes, we can not drill through granite, stainless steel, slate, marble etc

Space for water filter under work top
Standard Filter H=200mm W=140mm
CTU Filter H=450 W=140mm

35mm Trapped Waste Under work top within 1 metre. Or container under machine if no waste available.

Is someone on site to help engineer lift the machine into place?

Space for grinder to right of machine, with 13A socket above bar. If fitting a shelf above please allow an extra 200mm

Work top area complete and with space for machine. Work top capable of supporting weight

Please sign and date the declaration below to confirm all the above is correct, and please fax back to Pennine Tea & Coffee. If for any reason the engineer can not install the machine on your preferred date due to any of the above being false, a recall charge of £80.00 + Vat will be applied. If payment is to be made on the day either by cash or bankers draft (made out to Pennine Tea and Coffee Limited) this is to be given to the engineer before commencement of installation.

I certify that all the above details are correct and that the site is ready for installation of the espresso machine and accept that a charge of £80.00 + VAT will be payable direct to the engineer if the site is not ready upon arrival for installation.

Name _____ Signature _____ Date _____

Contact Phone Number _____ Req Install Date _____