



www.santos.fr

**COFFEE SHOP  
GRINDER #63**



**New  
Coffee shop  
Special**

SILENCE  
EXCEPTIONAL OUTPUT  
TURKISH COFFEE

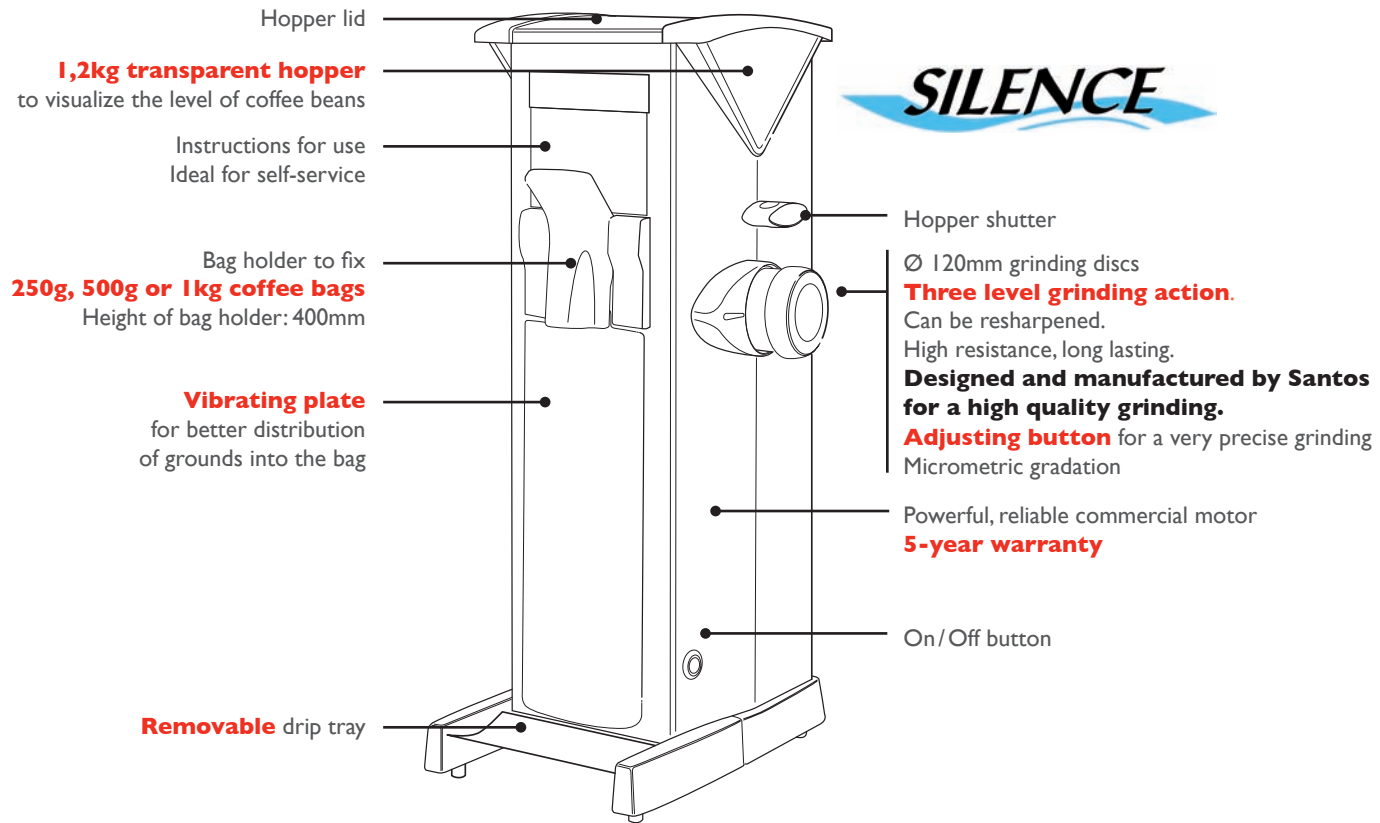
Internationally patented models



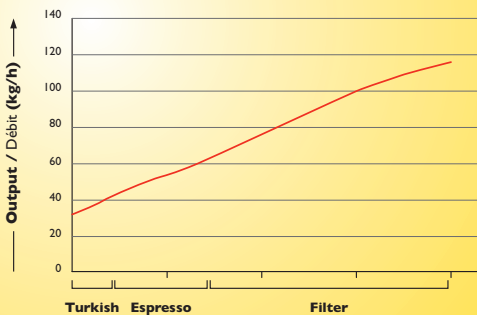


EXCEPTIONAL PERFORMANCE

The coffee shop grinder #63 is the ideal appliance for all stores which distribute large quantities of ground coffee: coffee shops, supermarkets and roasting establishments. Fast, precise and reliable, it makes a quality grinding thanks to its precise setting and its Ø 120mm grinding discs, designed and manufactured by Santos. Perfect to make turkish coffee.



Exceptional Output:  
up to 120kg/h



Everything for the coffee shop



Thanks to the espresso coffee grinder #55, the brushless blender #62, the drink mixer #54 and the coffee shop grinder #63, **you have the full coffee shop solution !**

# GRINDER #63



## THE GRINDER FOR COFFEE SHOPS

www.santos.fr

### Powerful, exceptional performances

- Powerful asynchronous motor, very silent. **5-Year warranty**
- **Extremely fast**, the grinder #63 has a max output of 120kg/h
- Sturdy product, adapted to intensive use

### Precision and quality grinding

- Santos manufactures its own grinding discs to give you a perfect grinding, constant and fine. (no burnt coffee effect)
- The coffee grinder #63 is equipped with Ø 120mm grinding discs with a three-level grinding action. **Can be resharpened.**
- Very precise **micrometric** setting of the grinding fineness
- **Makes turkish coffee:** turkish coffee output: 36 kg/h

### Comfort of use

- Accepts all kinds of bags, from 250g to 1kg.
- **Extremely silent** for a great comfort of use
- Display of instructions on how to use the grinder, ideal for self-service use.



**Your grinding discs can be resharpened**

You have the possibility to resharpen your grinding discs to give them a second life

## TECHNICAL SPECIFICATIONS



### Motor

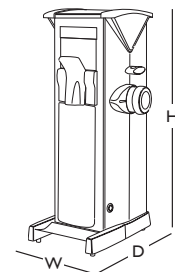
Single phase: 110-120V – 50/60Hz – 1 500W – CE  
220-240V – 50/60Hz – 1 500W – CE

Speed: 1 500rpm (50Hz)  
1 800rpm (60Hz)



### Weight

Net: 40Kg



### APPLIANCE

W: 279mm  
D: 329mm  
H: 677mm

## SAFETY, STANDARDS, HYGIENE

### In accordance with the following regulations

Machinery directive 2006/42/EC  
Electromagnetic compatibility 2004/108/EC  
“Low voltage” Directive 2006/95/EC  
Regulation 1935/2004/EC (contact with food)  
RoHS directive 2002/95/EC

### Harmonized European Standards

NF EN ISO 12100 - 1 and 2: 2004  
NF EN 60204-1: 2006

CE European standards

### Electrical Safety

- On/Off interlock switch is waterproof
- All mechanical parts are ground connected
- Appliances are 100% tested after assembly

### Thermal Safety

Motor protected by internal thermal detector.

### Acoustic Safety

Very silent and powerful asynchronous motor.

### Hygiene

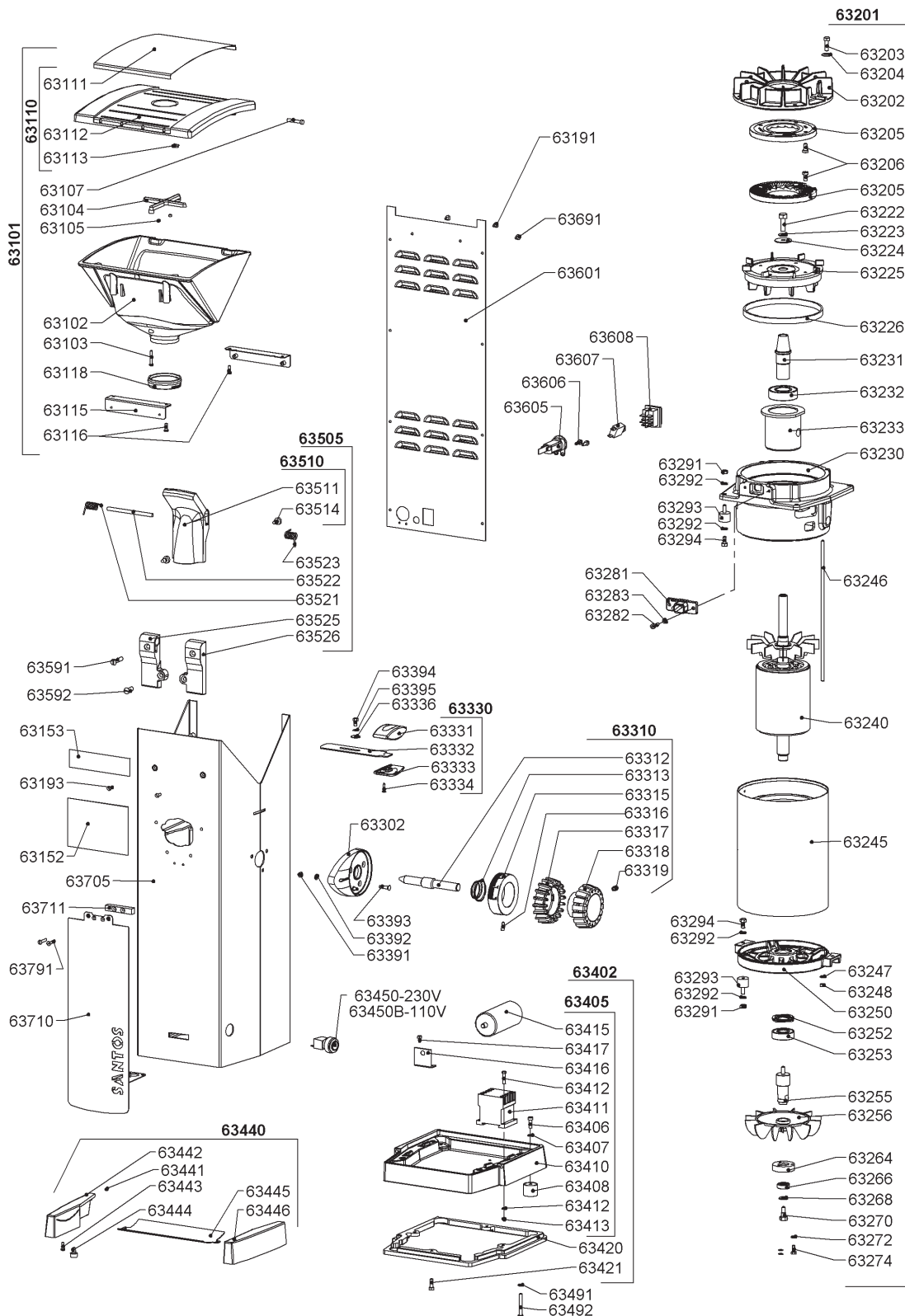
All removable parts can be put in a dishwasher or easily cleaned with hot soapy water.

**PRODUCT: 2-YEAR WARRANTY – MOTOR: 5-YEAR WARRANTY**



# COFFEE SHOP GRINDER #63

www.santos.fr



140-150 AV ROGER SALENGRO – 69120 – VAULX EN VELIN – LYON – FRANCE – TEL. +33 472 37 35 29 – FAX. +33 478 26 58 21

Website: www.santos.fr – E-mail : santos@santos.fr