



ISO 9001:2008 and TS EN ISO/IEC 17021 AB-044-YS  
QUALITY CERTIFICATED



Coffee is a lifestyle, Roasting is  
more...

Drawee	Kenneth Cooper – Pennine Tea and Coffee
Address	United Kingdom
E-Mail	<a href="mailto:sales@pennineteaandcoffee.co.uk">sales@pennineteaandcoffee.co.uk</a>
Date	24.09.2014
Offer No	TPR//01 – FH 41
Model	TKMSX-15 COFFEE ROASTER



**TKMSX-15 COFFEE ROASTER**

Tooper Karakundakoğlu Değirmen Makine San Ve Tic Ltd Şti  
Address: 5911 sk. no:1 Karabağlar- İzmir-Turkey  
Tel : 90-232-254-01-21 Fax: 90-232-2372127  
[www.tooper.com](http://www.tooper.com)



ISO 9001:2008 and TS EN ISO/IEC 17021 AB-044-YS  
QUALITY CERTIFICATED



Coffee is a lifestyle, Roasting is  
more...

<b>Model:</b>	TKMSX-15
<b>Batch Capacity:</b>	15 Kg green coffee
<b>Roasting Time:</b>	Brown roast: 10 Minutes Dark roast: 12 Minutes
<b>Hour Capacity:</b>	Brown Roast: 90 kg / Hour (720 kg in 8 hours/in a day) Dark Roast: 75 kg / Hour (600 kg in 8 hours / a day)
<b>Dimensions (HxWxL)</b>	200 x 189 x 150 Cm
<b>Weight:</b>	600 Kg
<b>Voltage:</b>	110-220-380 Volts, 50-60Hz, 1-3 Phase are available regarding to customer preference.
<b>Type of Fuel:</b>	LPG / Natural Gas.
<b>Number of Motors</b>	4 motors
<b>Color:</b>	Black, red, green, any other customer preference
<b>Body Type:</b>	<ul style="list-style-type: none"><li>▪ Chrome body</li><li>▪ Brass body</li></ul>

#### Security Systems :

- **Gas Security & Pilot System for security and electronic ignition :** Cut the gas connection
  - **Mixer Security System:** To protect any injury to user from rotating cooling tray arms.
- Temperature Control :** Digital Temperature controls and Digital Temperature indication

#### Other Specifications :

- Standard timer
  - Security drawer for the beans
  - New type chaff collector for easy chaff discharging
  - Simultaneous roasting and cooling at same time
  - Sampler and glass window to control roasting
  - Viewing window for green bean hopper
  - Installation and start up manual for easy using
  - High capacity suction for cooling fan
  - 1 year guarantee
  - Gas and electric components are compatible to CE – UL standards
  - Testing lamp (for checking roasting results at the same color in the same lighting conditions.)
  - A detailed user manual is provided with each machine together with a CD
  - Drum adjustment tool also provided with the machine
  - Rake wheel for cleaning cooling tray
- **Afterburner (Optional)**

#### Loader and unloaders (Optional)

- **Destoner (Optional)**
- **Profile system (Optional)**

**Tooper Karakundakoğlu Değirmen Makine San Ve Tic Ltd Şti**  
**Address: 5911 sk. no:1 Karabağlar- İzmir-Turkey**  
**Tel : 90-232-254-01-21 Fax: 90-232-2372127**

[www.tooper.com](http://www.tooper.com)

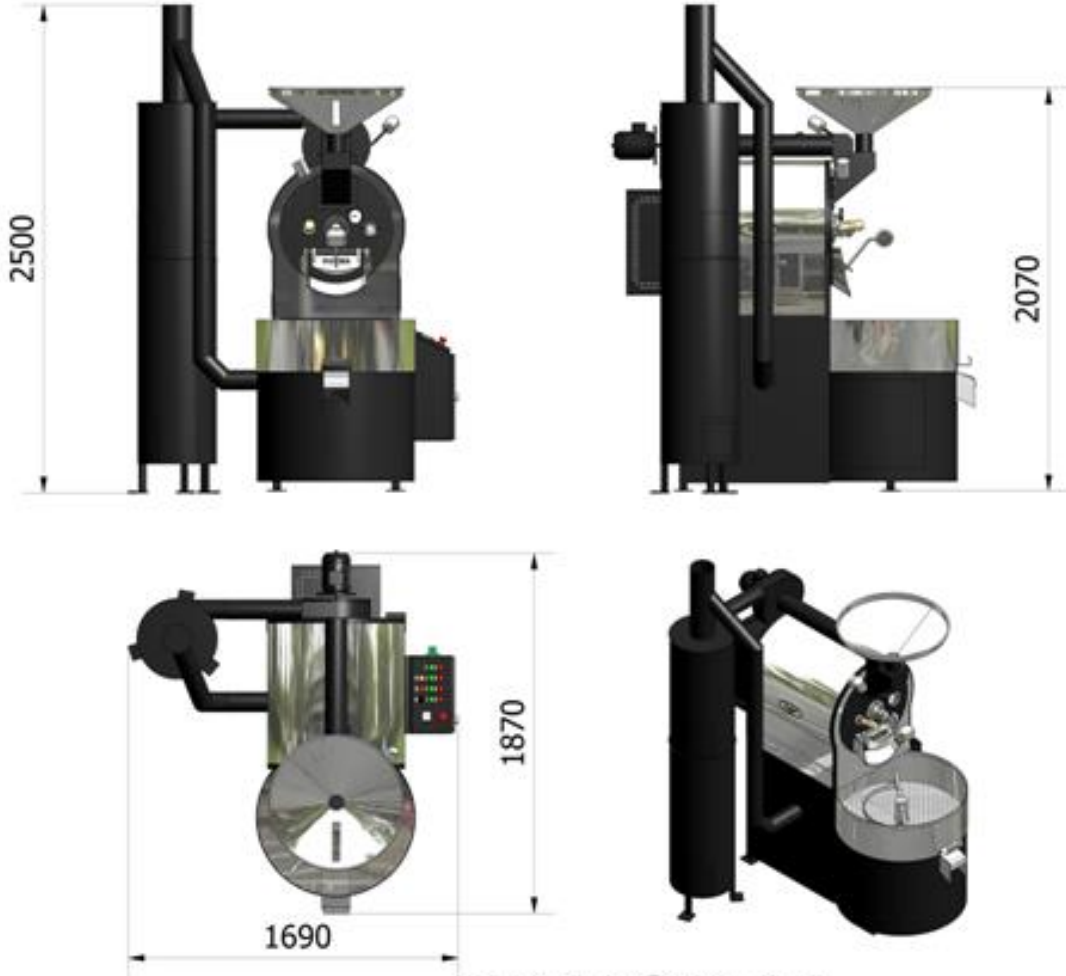


ISO 9001:2008 and TS EN ISO/IEC 17021 AB-044-YS  
QUALITY CERTIFICATED



Coffee is a lifestyle, Roasting is  
more...

## Schematic Diagram



# TKMSX 15

Tooper Karakundakođlu Deđirmen Makine San Ve Tic Ltd Őti

Address: 5911 sk. no:1 Karabađlar- İzmir-Turkey

Tel : 90-232-254-01-21 Fax: 90-232-2372127

[www.tooper.com](http://www.tooper.com)

Page 3/10

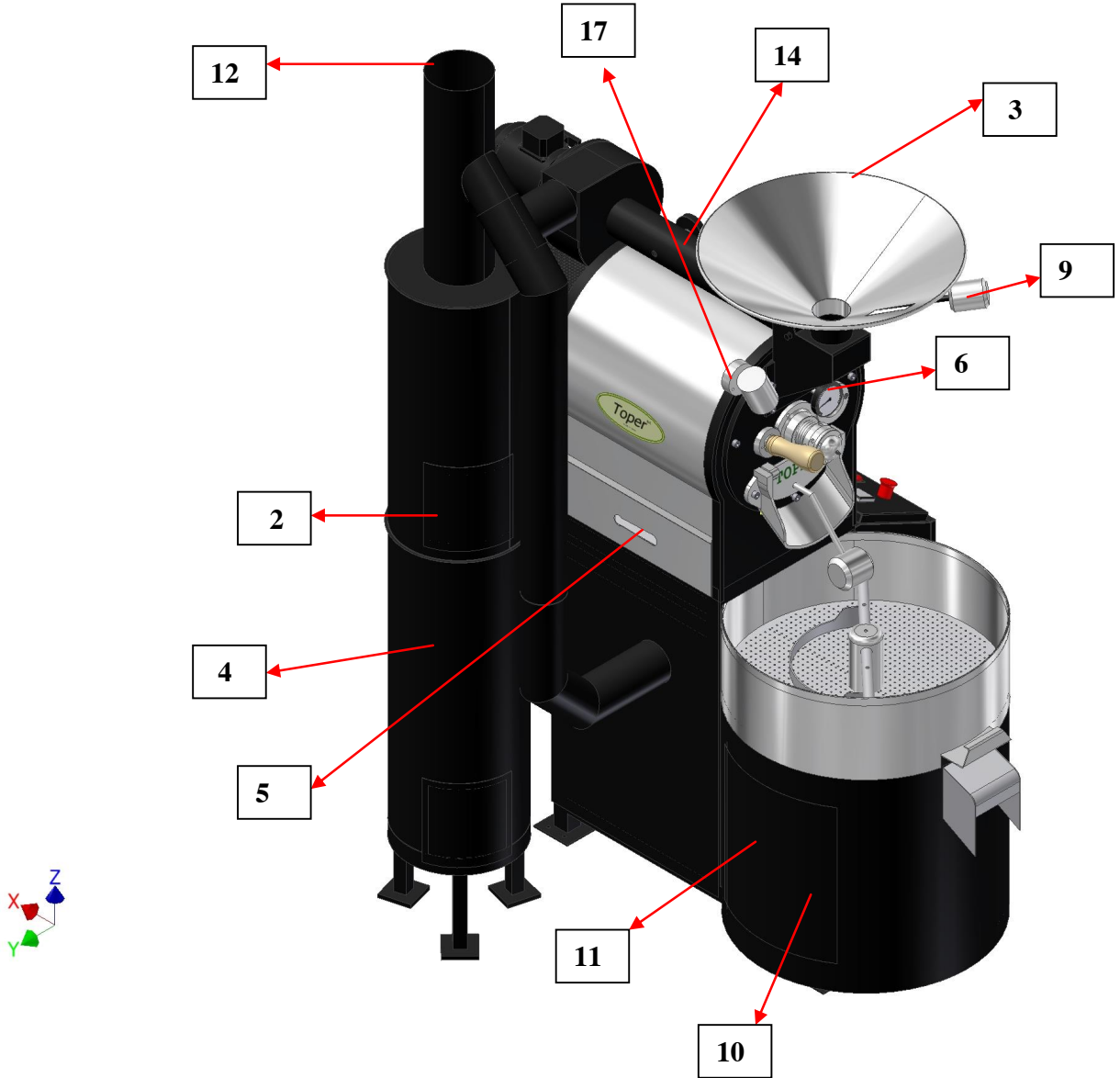


ISO 9001:2008 and TS EN ISO/IEC 17021 AB-044-YS  
QUALITY CERTIFICATED



Coffee is a lifestyle, Roasting is  
more...

## MAIN PARTS OF TOPER TKMSX 15 GAS COFFEE ROASTER



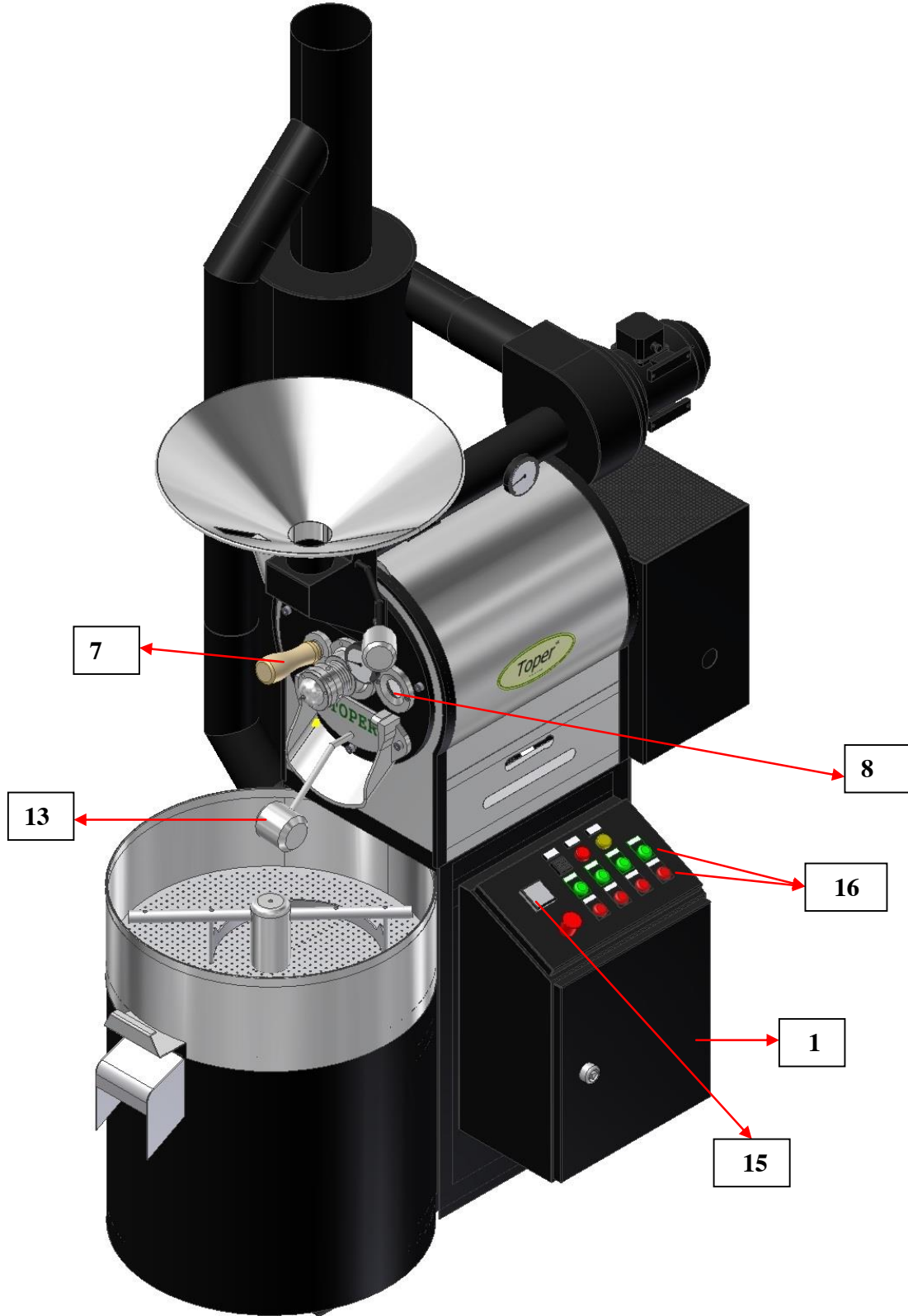
TopeR Karakundakođlu Deđirmen Makine San Ve Tic Ltd Őti  
Address: 5911 sk. no:1 Karabađlar- İzmir-Turkey  
Tel : 90-232-254-01-21 Fax: 90-232-2372127  
[www.topeR.com](http://www.topeR.com)



ISO 9001:2008 and TS EN ISO/IEC 17021 AB-044-YS  
QUALITY CERTIFICATED



Coffee is a lifestyle, Roasting is  
more...



TopeR Karkundakođlu Deđirmen Makine San Ve Tic Ltd Őti

Address: 5911 sk. no:1 Karabađlar- İzmir-Turkey

Tel : 90-232-254-01-21 Fax: 90-232-2372127

[www.topeR.com](http://www.topeR.com)

Page 5/10



ISO 9001:2008 and TS EN ISO/IEC 17021 AB-044-YS  
QUALITY CERTIFICATED



Coffee is a lifestyle, Roasting is  
more...

## DESCRIPTION OF PARTS

- 1- **ELECTRICAL CONTROL BOX:** All electric circuits is included inside this box. Computer is connected the connection kit which placed near the box.
- 2- **DUST ROOM GATE:** to open and clean inside the dust room. There is two gates on the dust room. Above gate is not usable during the roasting. Do not open it during roasting. You can use the below gate for cleaning the dust room during roasting.
- 3- **GREEN COFFEE HOOPER:** It's used to put green coffee inside the drum
- 4- **DUST ROOM (CHAFF COLLECTOR) :** Collects the chaffs from exhaust air and not let the chaff go off from the chimney, keeps all chaffs inside the room.
- 5- **BURNER SYSTEM:** Enable to heat the machine up.
- 6- **THERMOCOUPLE:** Temperature sensor.
- 7- **SAMPLER :**Enable to check the beans during the roasting
- 8- **VIEWING WINDOW:** Enable to how roasting inside the drum during the roasting.
- 9- **GREEN COFFEE HOPPER VALVE:** By opening this valve, the green beans fall the drum inside.
- 10- **COOLING AND MIXING PAN:** Enable to mix& cool the roasted coffee and clean the coffee from the last dusts and chaffs.
- 11- **MIXER DUST ROOM GATE:** To clean mixer dust room by opening this gate.
- 12- **EXHAUST AIR EXIT PIPE:** Enable to connect exhaust fan to dust room.
- 13- **DRUM GATE VALVE:** Enable to discharge the roasted coffee from the drum to cooling pan
- 14- **EXHAUST AIR VALVE:** Enable to adjust the exhaust fan suction. By closing this valve getting hot the drum is faster. Before 2 minutes closing the burner, it is enable to roast different type of coffees by adjusting the air suction at the end of the roasting.
- 15- **DIGITAL THERMOSTAT:** Enable to regulate the temperature of the machine so that the machine temperature is maintained near a desired set point temperature.
- 16- **MOTOR ON - OFF BUTTONS:** To turn on/off motors and burner
- 17- **LAMP:** Enable to follow the roasted beans at the same light conditions in every roasting.

Tooper Karakundakođlu Deđirmen Makine San Ve Tic Ltd Őti  
Address: 5911 sk. no:1 Karabađlar- İzmir-Turkey  
Tel : 90-232-254-01-21 Fax: 90-232-2372127

[www.tooper.com](http://www.tooper.com)

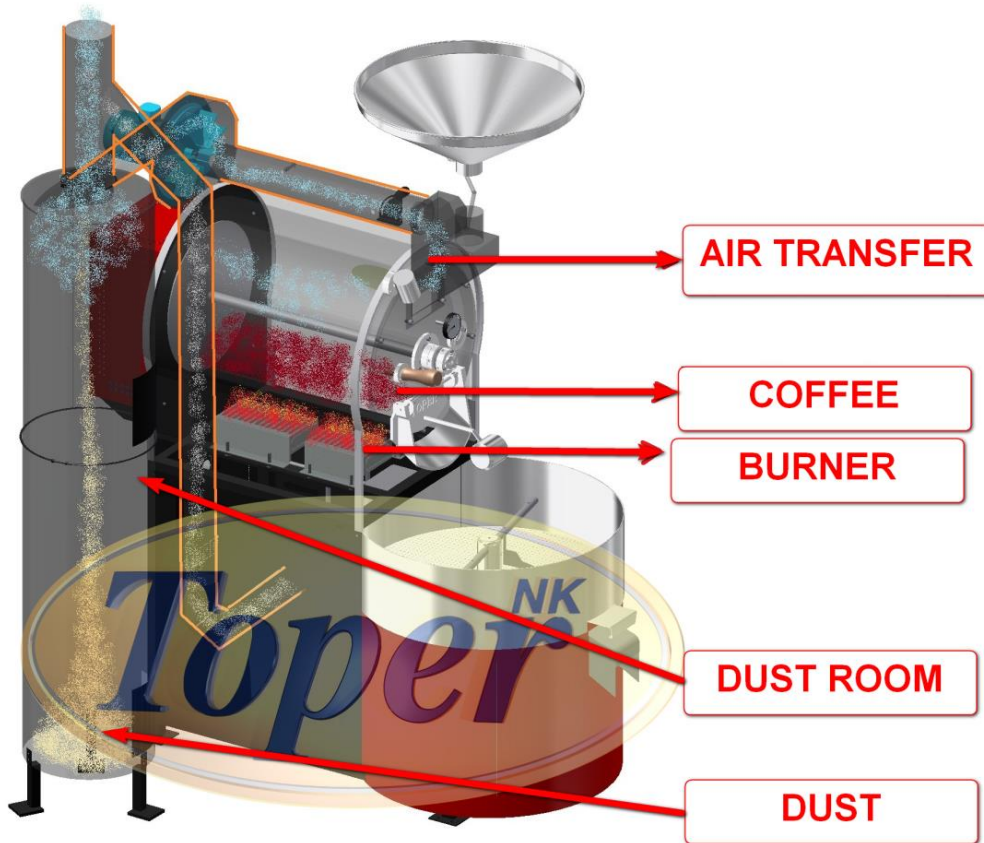


ISO 9001:2008 and TS EN ISO/IEC 17021 AB-044-YS  
QUALITY CERTIFICATED



Coffee is a lifestyle, Roasting is  
more...

## WORKING PRINCIPLES OF TOPER ROASTER



- Fill the green bean hopper by proper kgs with the batch capacity
- Than get the beans inside the batch after heating the roaster up
- The roasting process occurs inside the drum.
- During the process the dusts and chaffs get out through to the dust room by the exhaust fan.
- The dusts and chaffs collects and the smoke given out.
- Coffee is roasted by the equal thermal heating transfer.
- The equal heat is given all the roasted coffee.
- The beans taken out to the cooling tray after roasting
- The beans get cool to the room temperature by sucking the hot ai on the coffee.
- You may roast another batch when your previous roasted coffee in the cooling tray.
- Enjoy your roast!

Tooper Karakundakoğlu Değirmen Makine San Ve Tic Ltd Şti  
Address: 5911 sk. no:1 Karabağlar- İzmir-Turkey  
Tel : 90-232-254-01-21 Fax: 90-232-2372127

[www.tooper.com](http://www.tooper.com)